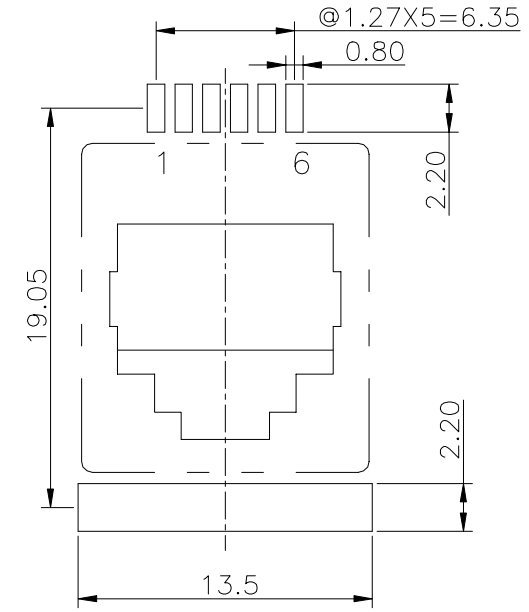
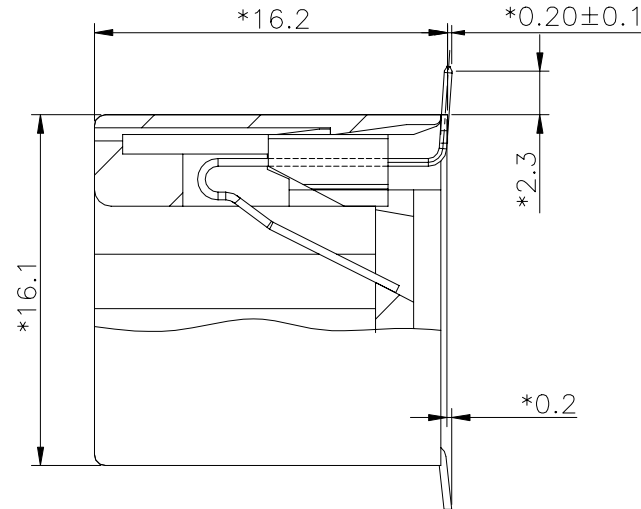
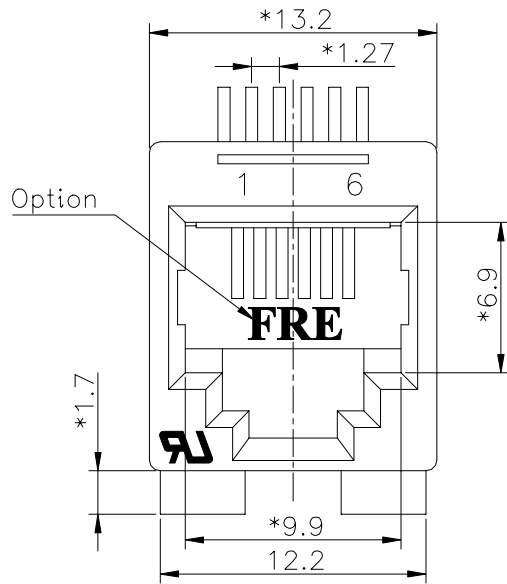


A1RFRD10

REVISION RECORD				
REV	ECO	DESCRIPTION	DRFT	CHKD
△		ADD NEW P/N	JamYin 10/24/05	
△		MODIFY DRAWING	ANKUE 08/15/06	



NOTES:

ELECTRICAL:

- VOLTAGE RATING : 125 VAC RMS.
- CURRENT RATING : 1.5 AMP.
- CONTACT RESISTANCE : 30 MILLIOHMS MAX.
- INSULATION RESISTANCE: 1000 MEGOHMS MIN @ 500 VDC.
- DIELECTRIC STRENGTH : 1000 VAC RMS 60Hz, 1MIN.

MECHANICAL:

- HOUSING MATERIAL : NYLON+GF30% UL94V-0\COLOR:BLACK.
- CONTACT MATERIAL : PHOSPHOR BRONZE t=0.35mm.
- PLATING : GOLD PLATING OVER NICKEL.
- OPERATING LIFE : 750 CYCLES MIN.
- PCB RETENTION POST-SOLDER: 10 LBS MIN.

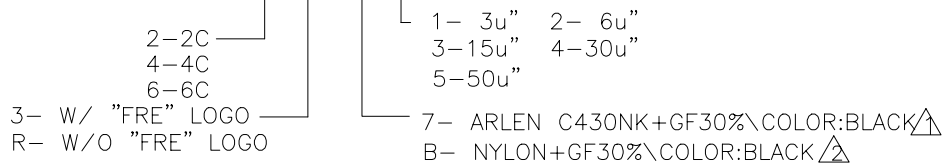
ENVIRONMENTAL:

- STORAGE : -40°C TO +85°C.
- OPERATION: -40°C TO +85°C.
- IR REFLOW PEAK SOLDERING TEMPATURE: 255°C~265°C 5~10 SECONDS.
- RoHS COMPLIANT.

MATES WITH MODULAR PLUG CONFORMING TO FCC PART 68, SUBPART F.

CUL FILE NO. E163191

△PART NUMBER: E526X-X00XBX-L



PCB LAYOUT (COMPONENT SIDE VIEW)

5-0313-1



RoHS Compliant

FULL RISE ELECTRONIC CO., LTD

TITLE
TOP ENTRY PCB JACK 6P SMD

DRAWING NO. GE523062-LA SIZE A3 REV 2
/PART NO. SEE NOTE

DO NOT SCALE DRAWING SHEET 1 OF 1

← MM (INCH) →		DFTO ANKUE	DATE 4/21/05'
TOLERANCES EXCEPT AS NOTED		CHKD ASKELLY	DATE 2006/8/15
		MFO	DATE
		APPVL LUSHENG	DATE 2006/8/15
MM		MATERIAL :	
.0 ± 0.2	±	QTY :	
.00 ± 0.15	±	FINISH :	
.000 ± 0.075	±	SCALE : 4:1	
ANGLES ± 0.5		THIRD ANGLE PROJECTION	